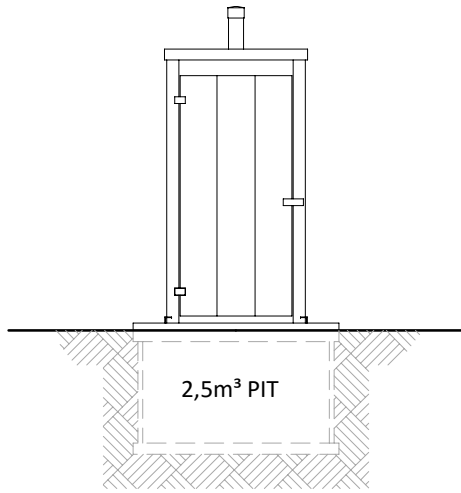
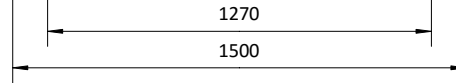
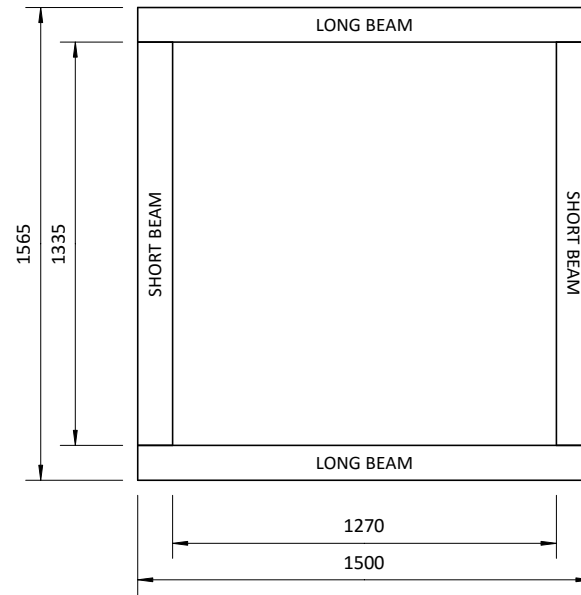


2.5m³ PIT STRUCTURE PLAN VIEW

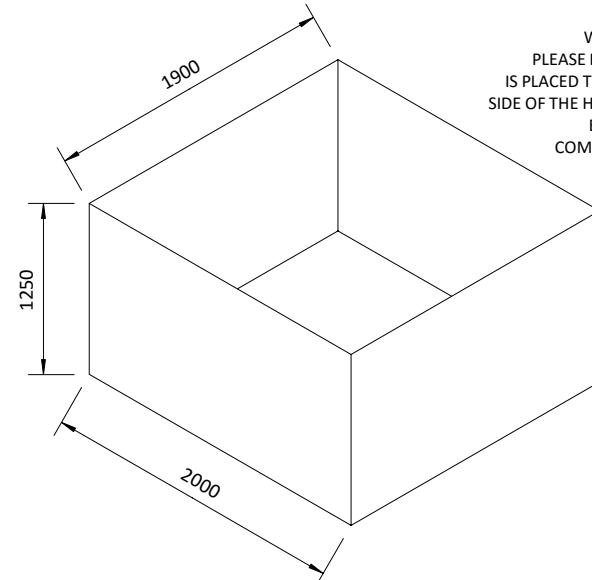
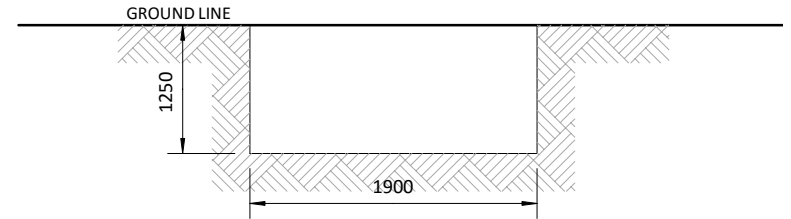
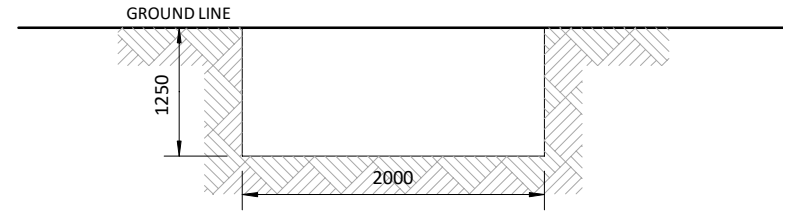
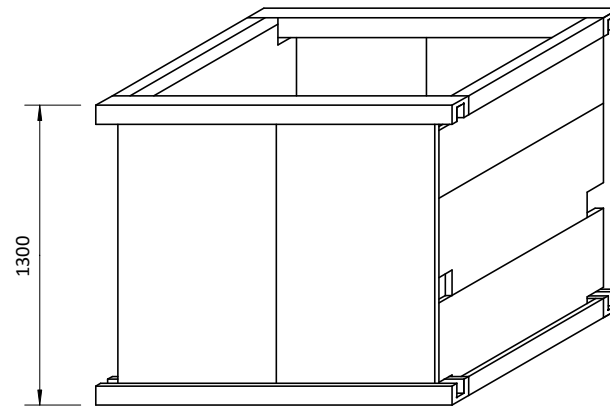


FRONT VIEW
not to scale



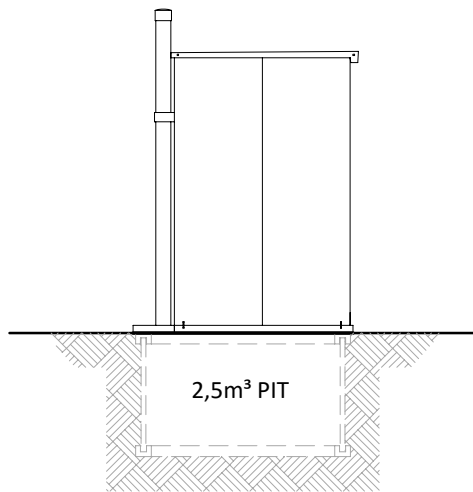
ISOMETRIC VIEW

not to scale




PIT EXCAVATION

WHEN DIGGING THE PIT
PLEASE ENSURE THAT THE SOIL
IS PLACED TO THE LEFT AND RIGHT
SIDE OF THE HOLE. THIS WILL ALLOW
EASY BACKFILLING AND
COMPACTING AROUND THE
ERECTED PIT.



SIDE VIEW
not to scale

 ADDRESS : 8 Albert Road Port Edward P.O. Box 936 4295	ELDOFOX (PTY) LTD		DATE FEB '15
	TITLE ELDOFOX VIP PIT STRUCTURE		SCALE 1 : 25
	DRAWING No ELDO27-02-15		SH1 1 of 1
			REV 1