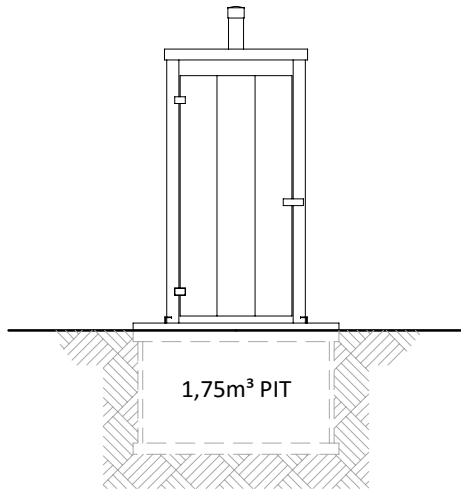
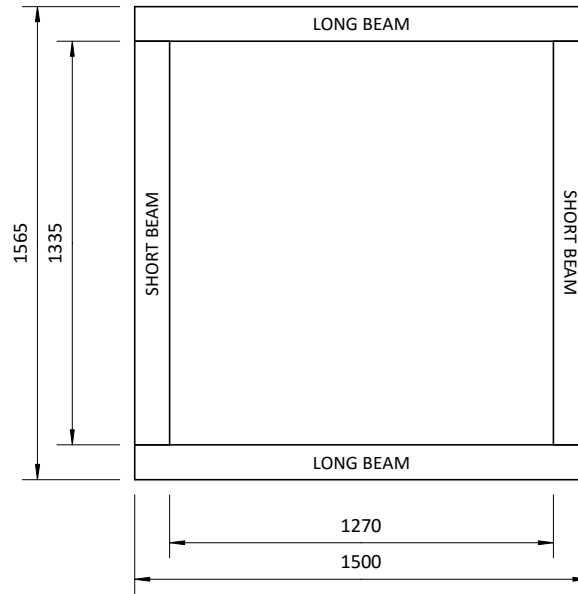


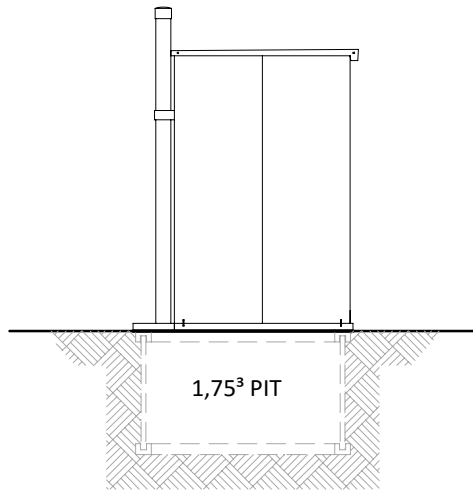
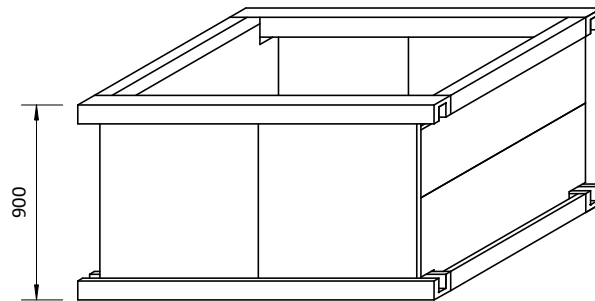
# 1.75m<sup>3</sup> PIT STRUCTURE PLAN VIEW



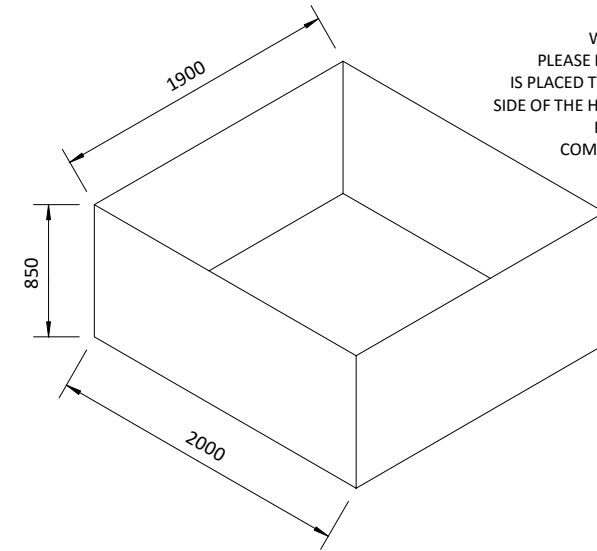
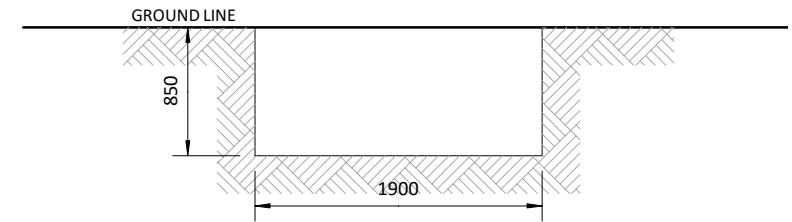
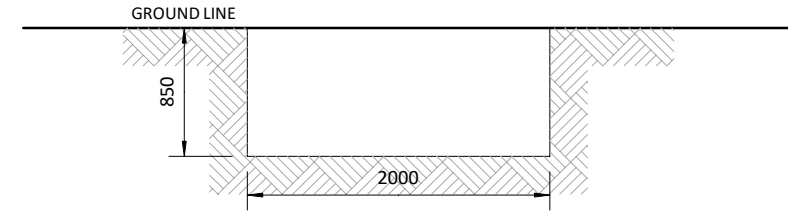
**FRONT VIEW**  
not to scale



**ISOMETRIC VIEW**  
not to scale




**SIDE VIEW**  
not to scale



WHEN DIGGING THE PIT  
PLEASE ENSURE THAT THE SOIL  
IS PLACED TO THE LEFT AND RIGHT  
SIDE OF THE HOLE. THIS WILL ALLOW  
EASY BACKFILLING AND  
COMPACTING AROUND THE  
ERECTED PIT.

**PIT EXCAVATION**

	<b>ELDOFOX (PTY) LTD</b>		DATE <b>FEB '15</b>
	ADDRESS : 8 Albert Road Port Edward P.O. Box 936 4295		SCALE <b>1 : 25</b>
TITLE <b>ELDOFOX VIP PIT STRUCTURE</b>		SH1 <b>1 of 1</b>	
DRAWING No <b>ELDO27-02-15</b>		REV <b>1</b>	