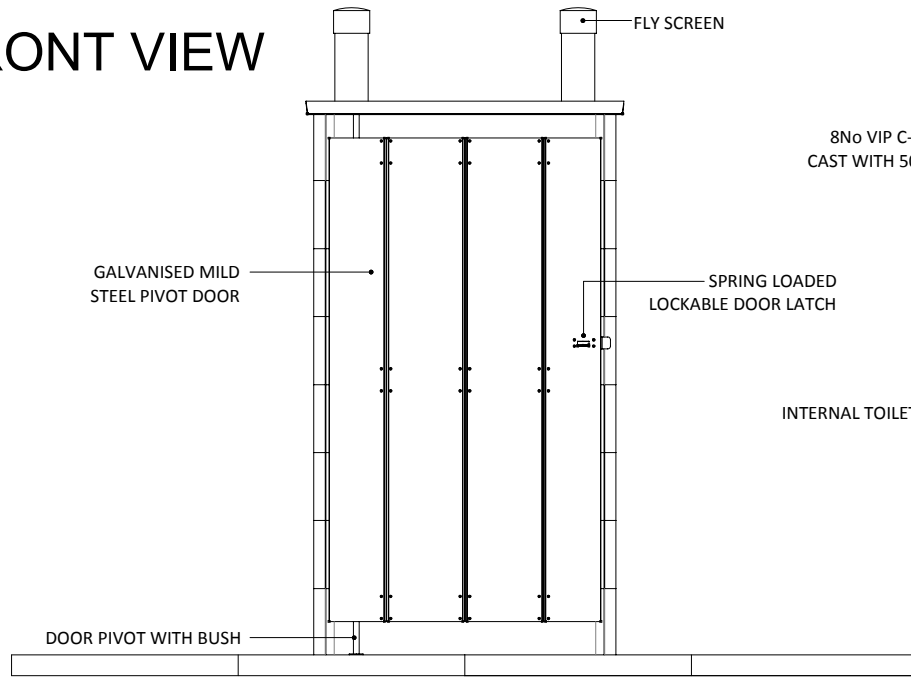
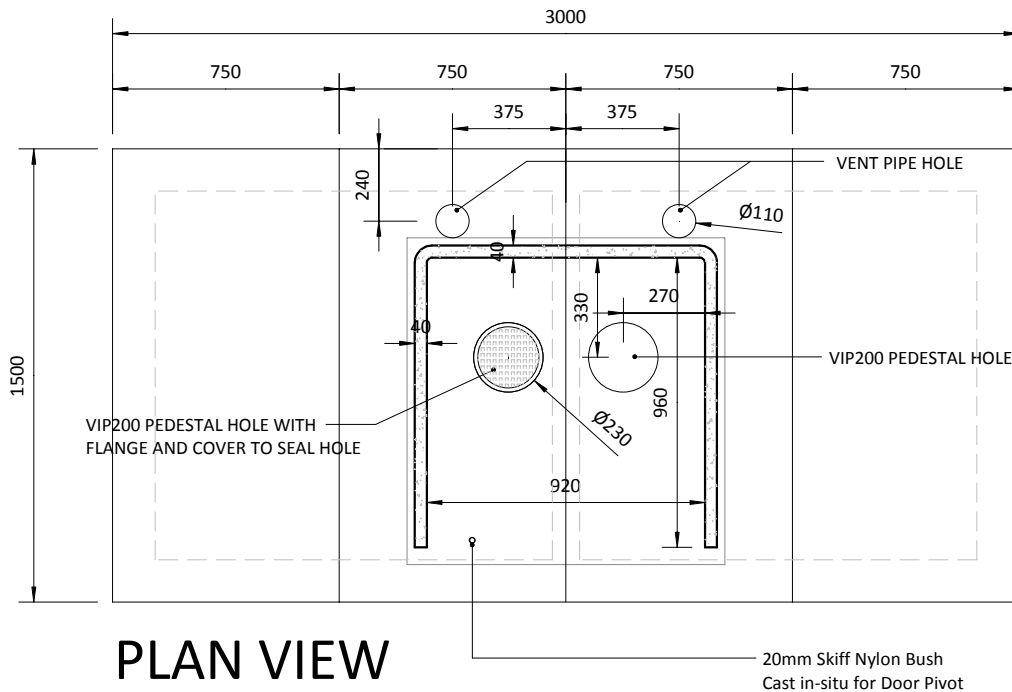
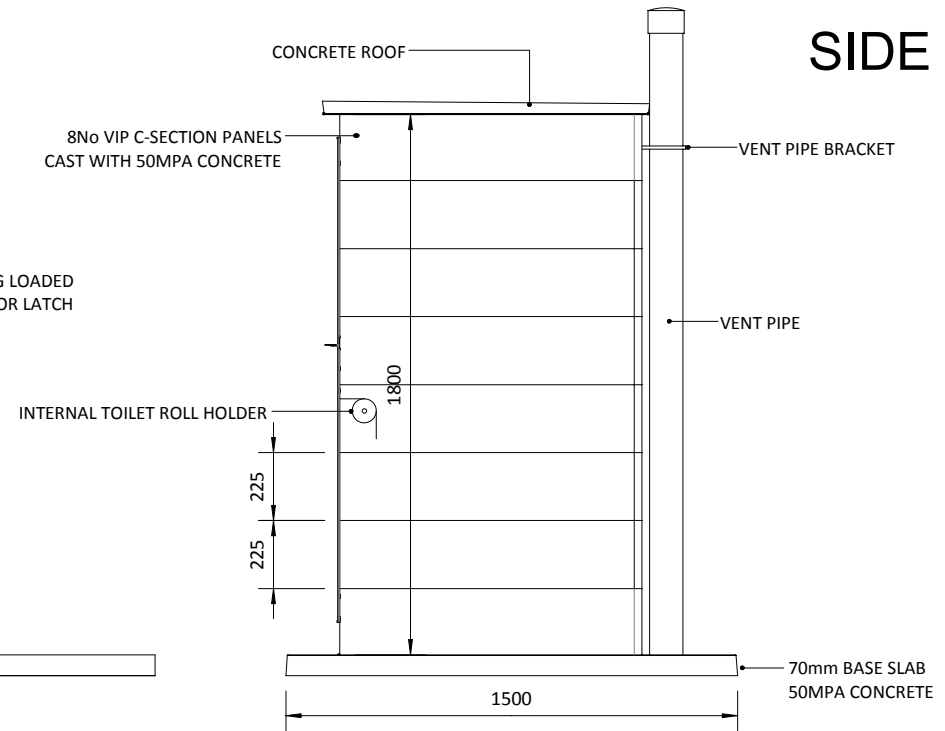



FRONT VIEW



SIDE VIEW



PLAN VIEW

	ELDOFOX (PTY) LTD		DATE JAN '16
	ADDRESS : 8 Albert Road Port Edward P.O. Box 936 4295		SCALE 1 : 25
TITLE C-SECTION DOUBLE PIT PROPOSAL		SHT 1 of 1	
DRAWING No ELDO05-02-16		REV 1	